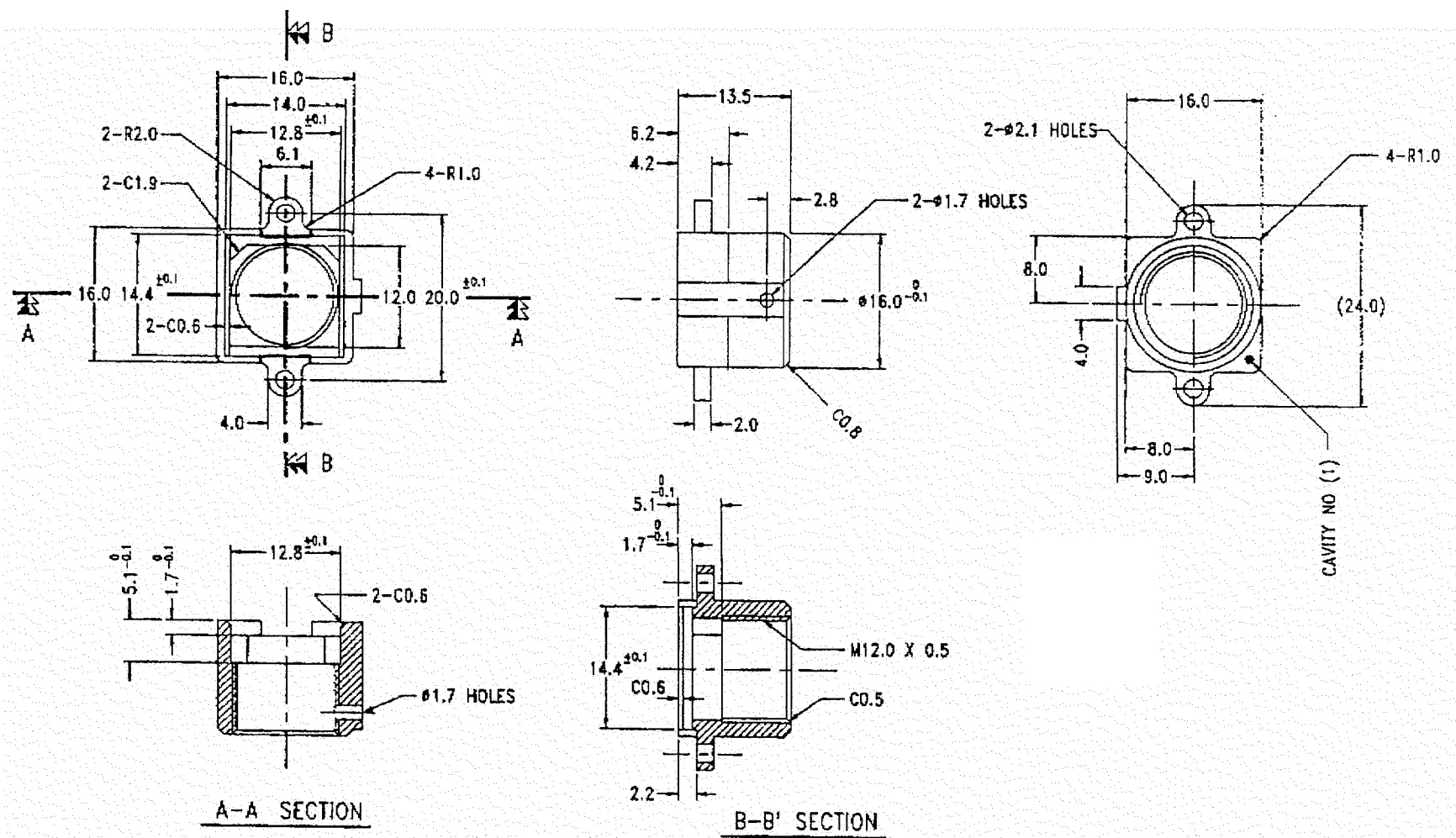


Marshall Electronics, Inc.
 1910 East Maple Avenue
 El Segundo, CA 90245

INFORMATION ON THIS DOCUMENT IS PROPRIETARY AND SHALL NOT BE USED, COPIED, REPRODUCED, OR DISCLOSED IN WHOLE OR IN PART WITHOUT WRITTEN CONSENT.

V-LH08



DATE 1995.04.10	SCALE 2 : 1	MATERIAL PC GR17	DWG-NO. V-LH08	REV. B
Marshall Electronics, Inc.	DESIGNED	CHECKED	DESCRIPTION	