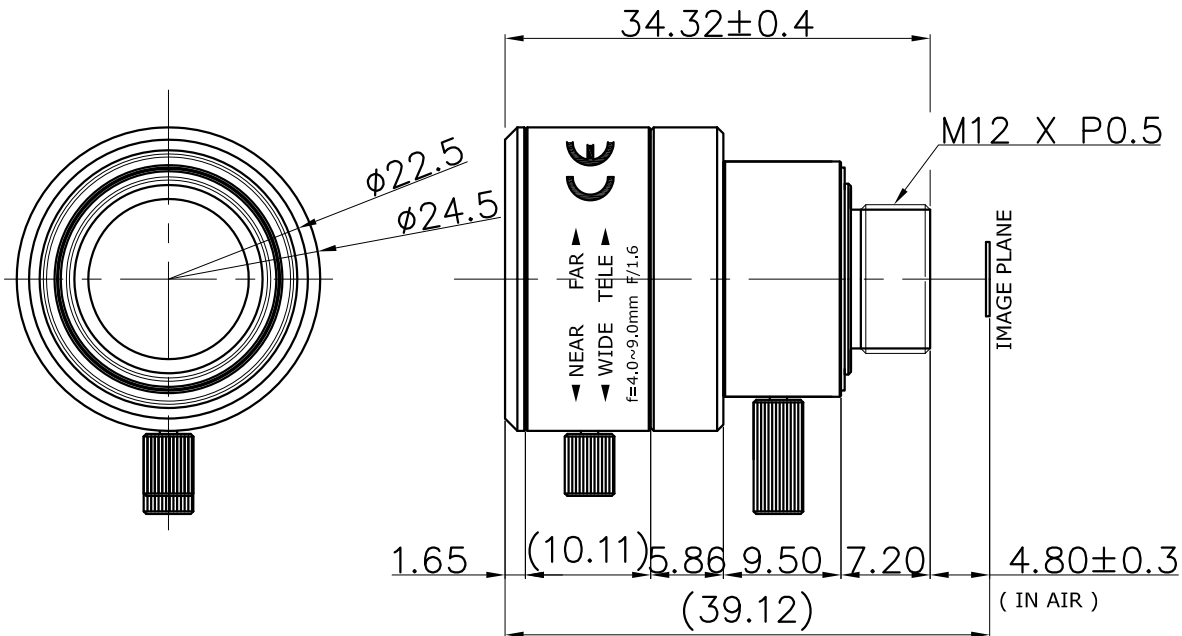


VARIFOCAL LENS 4.0 ~ 9.0 mm (BOARD TYPE)



1. SENSING AREA : 1/3"
2. FOCAL LENGTH : 4.0 ~ 9.0MM \pm 5%
3. BACK FOCAL LENGTH : 6.1 ~ 10.2MM \pm 5% (IN AIR)
4. MAXIMUM RELATIVE APERTURE : 1.6 ~ 2.4
5. IRIS : FIXED
6. LENS CONSTRUCTION : 8 COMPONENTS 8 ELEMENTS
7. ANGULAR FIELD OF VIEW :
 - DIAGONAL : $77.3^\circ \pm 5\% \sim 39.4^\circ \pm 5\%$
 - HORIZONTAL : $58.5^\circ \pm 5\% \sim 31.3^\circ \pm 5\%$
 - VERTICAL : $41.6^\circ \pm 5\% \sim 22.6^\circ \pm 5\%$
8. MINIMUM OBJECT DISTANCE : 50CM -00
9. WEIGHT : 28.0gr

	TOLERANCES		Designed	Title name	VARIFOCAL LENS f = 4.0 ~ 9.0mm Fno 1.6 ~ 2.4		
	ANGLE 1°/2		Checked				
	X. \pm 0.2		Approved				
	.X \pm 0.1 .XX \pm 0.05						
A4	Scale	N/S		Dwg No.	DATE	280402	Revision No. -00